

# Bulldog Cam

## Professional Security Camera

High Powered Quality Color Surveillance



 **Swann Helpdesk**  
Has the answers



**If this device does not work when you first plug it in, do not take it back to the store.**



Contact the Swann Helpdesk using our fast e-mail service [tech@swann.com.au](mailto:tech@swann.com.au) or call us on one of the Toll-Free numbers shown on the back cover of this booklet.



Most problems can be quickly and easily fixed with a simple e-mail or a quick chat with one of our friendly technical staff. (Toll-Free available in the US and Australia only)

**FCC NOTICE**

This device complies with Part 15 of FCC Rules. Operation is subject to the following conditions:  
(1) This device may not cause harmful interference, and  
(2) this device must accept any interference received, including interference that may cause undesired operation

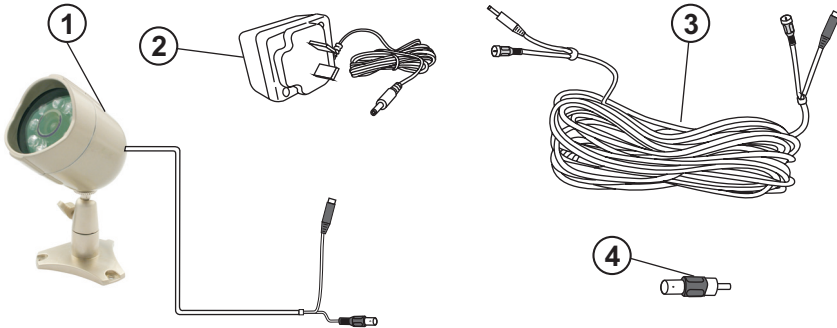
## Installation Guide

## Installation Instructions

The Bulldog camera is designed for use with any DVR, VCR, Security Monitor, TV or computer with a video capture card. The camera can be used indoors or outdoors. The Bulldog camera can be used for a variety of purposes including monitoring callers at the door, keeping your car, yard, shop or warehouse under observation or used as a camera to monitor your children's play area.

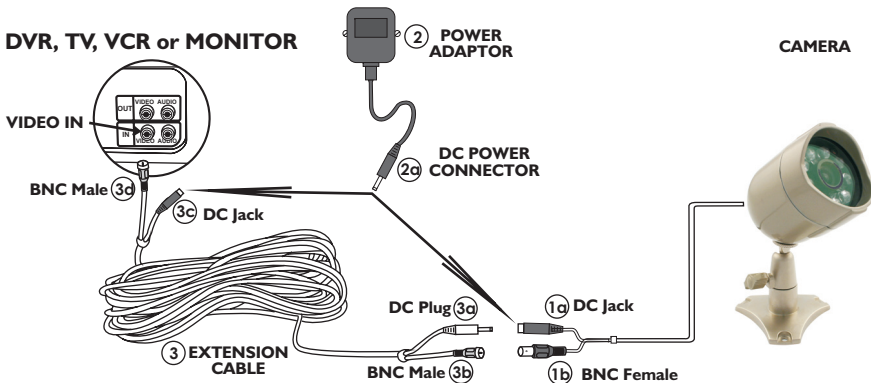
## Contents and Parts Identification

1. Bulldog Camera with Stand and fixed cable.
2. 12Volt DC Power Adaptor (adaptor design varies depending on country).
3. 10m Power and Video Extension cable.
4. BNC (female) to RCA (male) adaptor.



## How to connect the Bulldog Camera to your monitoring device

Your Bulldog Camera is designed to transmit high quality colour images to your security device or Television and is operated by mains power. To help guide you through the process of setting up the Bulldog Camera, we have outlined the steps and numbered each of the components required in the diagram below.



## How to connect the Bulldog Camera to your monitoring device

**Step 1:** At the end of your Bulldog Camera cable you will find two plugs:

- Silver (**Video BNC Female**)
- Black (**DC Power Jack**)

**Step 2:** Plug the **BNC Female (1b)** into the **BNC Male (3b)** of the **Extension Cable (3)** and turn the outer ring to lock the connectors. Plug the other **BNC Male (3d)** at the opposite end of the extension cable into a BNC connector on your security device (usually located at the back of your DVR or Quad Switcher).

**Step 3:** Connect the **Power Connector (2a)** at the end of the **power adaptor (2)** in to your Bulldog Camera's DC Jack (**1a**), or the 10m extension cable's DC Jack (**3c**) if you are using it. Use whichever is located near the most convenient power outlet

**Step 4:** Plug the **power adaptor (2)** into the mains power point on your wall and switch on if required.

**Step 5:** If you have an **A/V TV** with RCA sockets you will need to use the **BNC to RCA adaptor (4)** in between the **BNC Connector (3d)** on the **Extension Cable (3)** and the **RCA Socket** of your **TV** or **VCR**. You will then need to switch the **TV** to the **AV** channel to view the camera. To connect the Bulldog Camera to your **VCR**, you will need to turn the **VCR** to the **A/V Input** selection and turn your **TV** onto the channel you would normally use to view a tape or movie on your **VCR**.

**Note:** The Bulldog Camera will automatically change to a black & white image using the Infra-Red LEDs when available light is too low to support a clear colour picture.

**Note:** Please read the **instructions** for your **VCR** or **TV** for more information on using their **A/V inputs**.

## Mounting the camera on your wall or ceiling

1. Once you have chosen the best position for the camera, switch the power to the camera off, and unplug the power lead from the camera.
2. When mounting the Bulldog Camera to your ceiling or wall, please ensure that you rotate the camera so that at the top of the camera lens is 'up', otherwise you will find that your pictures are displayed upside down. (see diagram)
3. Hold the camera base in the position you wish to fix it, and mark the holes with an appropriate pen or pencil. Once this is done, remove the stand and drill a hole with the appropriate drill bit for the material you are mounting your camera to and the screws you are using.
4. Run the camera cable back to the TV/VCR, any holes that you drill need to be at least 14mm in diameter to allow the connectors to pass through.
5. Reconnect the power lead to the camera and switch the camera power back on.



## Things to consider when operating the Bulldog Camera

1. To extend the operating distance of the camera from your TV or VCR you will need to purchase a suitable A/V extension Cable and gender changers where necessary. It is better to use one cable of the correct length than 3 or 4 shorter cables with adapters. Use of more adaptors can degrade the picture quality and reduce the effective cable length. Many electronic and hardware stores can make suitable cables and terminate them for you. Consult with your local dealer for more information.
2. The camera **must not** be placed where it looks directly into the sun or any other bright light source, as this will not only result in a poor image, but will eventually damage the electronics of the camera.
3. Areas with a high degree of contrast in the light levels may require re-positioning of the camera in order to obtain the best image.
4. The best viewing angle is achieved by placing the camera in a position where it is looking down on the subject.
5. **IMPORTANT:** For night-time use or when situated in a dimly-lit environment the camera will automatically activate the Infra-Red LEDs and change to a Black & White image. You will then be able to view the area within range of the Infra-Red LEDs.

## Help Desk / Support Details

### Swann Technical Support

All Countries E-mail: [tech@swann.com.au](mailto:tech@swann.com.au)

#### Telephone Helpdesk

UNITED STATES toll free

1800-627-2799

1877-274-3695

(Sun-Thurs, 2pm-10.00pm US PT)

USA Exchange & Repairs

562-777-2551

(Mon-Fri, 9am-5.00pm US PT)

AUSTRALIA toll free

1300 13 8324

(Mon-Fri, 9am-5.00pm Aus ET)

International

+61 3 8412 4610

(Mon-Fri, 9am-5.00pm Aus ET)

See <http://www.worldtimeserver.com> for information on different time zones and the time in Melbourne Australia compare to your local time.



[www.swannsecurity.com](http://www.swannsecurity.com)